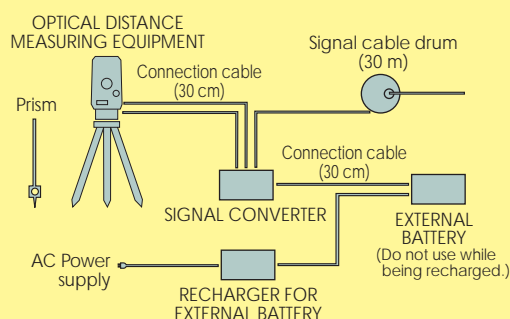


OPTICAL DISTANCE MEASURING EQUIPMENT DM-300

Measures the Distance in Field Events Accurately and Quickly Using Infrared Beam



SYSTEM LAYOUT



FEATURES

- **Applicable to 8 events**
Applicable to javelin throw, hammer throw, discus throw, shot put, long jump, triple jump, high jump and pole vault.
- **Online data transmission**
Measured data can be fed online to the display board and computer, except in high jump and pole vault.
- **Easy interactive operation**
Measurement can be made easily in an interactive way using an LCD monitor and button switches.
- **Memory of measured distance**
Once measured, the baseline distance is retained in memory unless it is deleted or the power is turned off.
- **Out-of-the-level alarm**
The alarm sounds if the distance finder is out of the level beyond the specified limit. The voltage level of the backup battery can be checked on the monitor.



SYSTEM CONFIGURATIONS

Optical distance measuring equipment (DM-301)	1 unit
Tripod	1 unit
Signal converter	1 unit
Signal cable drum (30 m)	1 unit
Connection cable (30 cm)	3 pieces
Prism	1 piece
Accessories for prism	1 set
Carrying case	1 unit

SPECIFICATIONS

Measuring range	: 2 ~ 300 m
Maximum measurement accuracy	: ± 5 mm
Measurement duration	: Approx. 4 seconds
Operational temperature range	: 0° C ~ +50° C
Battery backup	: Approx. 10 hours when internal and external batteries are used in combination; at 25° C Approx. 2 hours when only internal battery is used.
Output signal	: In accordance with RS-422 (when external battery and signal converter are used)
Output data SEIKO format	: Event name (in abbreviated code) and measured value (in 1 cm increments)